

# M15050 DC AXIAL FAN Series

## □ 150x150x51mm

- AUTO (RESTAR)
- PWM
- FG
- RD SIGNAL H
- RD SIGNAL L



Impeller : 5 blades ,made of plastic PBT UL94 V-0

扇 叶: 5叶,PBT塑料制, 阻燃等级UL94 V-0

Frame : Made of Aluminum die-casting ADC-12

扇 框: 压铸铝 ADC-12

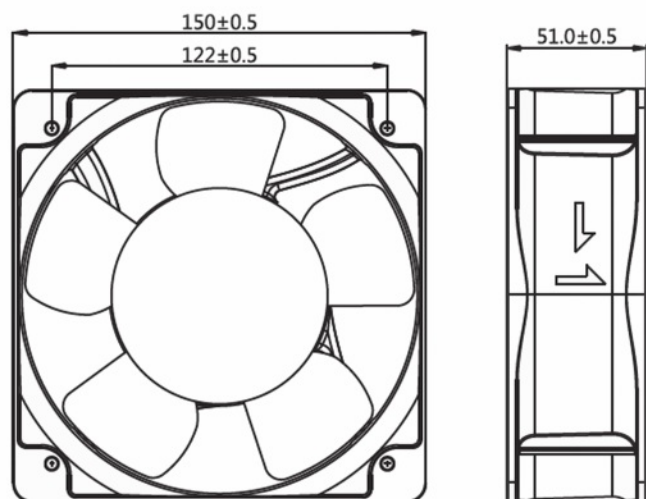
Motor : 8 Poles brushless DC motor

電 機: 8极无刷直流

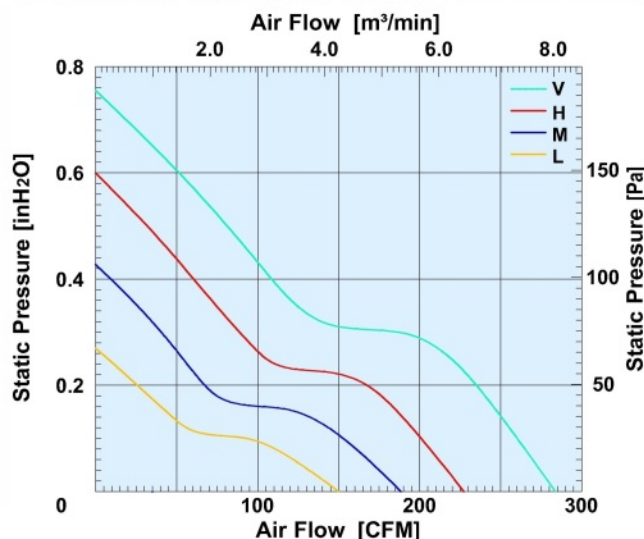
Model (型号)	Bearing System (轴承)	Rated Voltage (电压) [V]	Voltage Range (电压范围) [V]	Current (电流) [A]	Speed (转速) [RPM]	Maximum Air Flow (风量) [CFM]	Maximum Air Flow (风量) [m³/min]	Max. Static Pressure (静压) [inH2O]	Max. Static Pressure (静压) [Pa]	Noise Level (噪音) [dB-A]	Mass (质量) [g]
M15050LD1	B	12	6.0~13.5	0.43	2000	150	4.25	0.27	68.3	42.5	675
M15050LD2	B	24	18.0~26.5	0.21	2000	150	4.25	0.27	68.3	42.5	675
M15050LD4	B	48	36.0~54.0	0.13	2000	150	4.25	0.27	68.3	42.5	675
M15050MD1	B	12	6.0~13.5	0.84	2500	188.3	5.33	0.427	106.4	50.0	678
M15050MD2	B	24	18.0~26.5	0.34	2500	188.3	5.33	0.427	106.4	50.0	678
M15050MD4	B	48	36.0~54.0	0.20	2500	188.3	5.33	0.427	106.4	50.0	678
M15050HD1	B	12	6.0~13.5	1.50	3000	227.5	6.44	0.60	149.5	55	690
M15050HD2	B	24	18.0~26.5	0.56	3000	227.5	6.44	0.60	149.5	55	690
M15050HD4	B	48	36.0~54.0	0.32	3000	227.5	6.44	0.60	149.5	55	690
M15050VD1	B	12	6.0~13.5	2.00	3500	283.6	8.03	0.758	188.7	60.0	690
M15050VD2	B	24	18.0~26.5	0.90	3500	283.6	8.03	0.758	188.7	60.0	690
M15050VD4	B	48	36.0~54.0	0.54	3500	283.6	8.03	0.758	188.7	60.0	690

PS.高转数据参考M17251--5叶

### Dimensions Drawing



### Air Flow and Static Pressure



Above specification is only for reference and subject to change without notice.

以上数据仅供参考, 如有变更恕不另行通知。