

AUTO
RESTAR

PWM

FG

RD
SIGNAL H

RD
SIGNAL L

DC AXIAL FAN M17150 Series

Ø171 x 51 mm



Impeller : 3 blades ,made of plastic PBT UL94 V-0

扇 叶: 3叶,PBT塑料制,阻燃等级UL94 V-0

Frame : Made of Aluminum die-casting ADC-12

扇 框: 压铸铝 ADC-12

Motor : 8 Poles brushless DC motor

電 機: 8极无刷直流

Model (型号)	Bearing System (轴承)	Rated Voltage (电压) [V]	Voltage Range (电压范围) [V]	Current (电流) [A]	Speed (转速) [RPM]	Maximum Air Flow (风量) [CFM]	Maximum Air Flow (风量) [m³/min]	Max. Static Pressure (静压) [InH2O]	Max. Static Pressure (静压) [Pa]	Niose Level (噪音) [dB-A]	Mass (质量) [g]
M17150VD1	B	12	6.0~13.5	1.90	3500	263.2	7.45	0.79	197.5	56.6	675
M17150VD2	B	24	18.0~26.5	0.87	3500	263.2	7.45	0.79	197.5	56.6	675
M17150VD4	B	48	36.0~54.0	0.43	3500	263.2	7.45	0.79	197.5	56.6	675
M17150SD2	B	24	18.0~26.5	1.30	4500	328.8	9.31	1.14	284.9	63.2	678
M17150SD4	B	48	36.0~54.0	0.82	4500	328.8	9.31	1.14	284.9	63.2	678
M17150ED2	B	24	18.0~26.5	2.40	5000	358.3	10.14	1.38	343.6	68.4	682
M17150ED4	B	48	36.0~54.0	1.25	5000	358.3	10.14	1.38	343.6	68.4	682

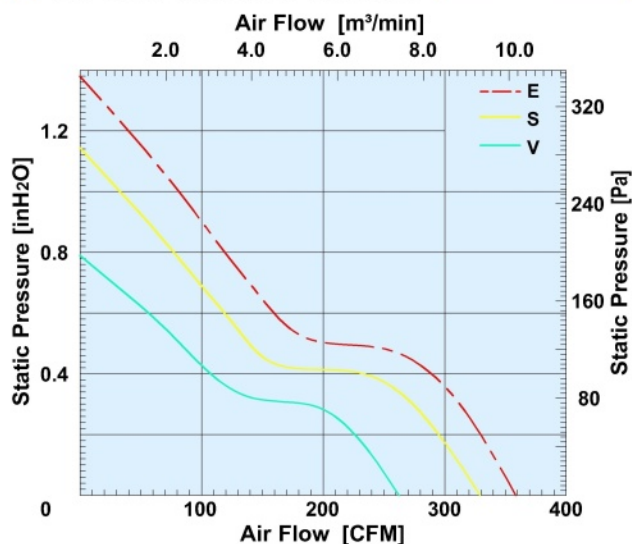
PS.低转数据参考M15050--3叶

MUTUAL MOTOR

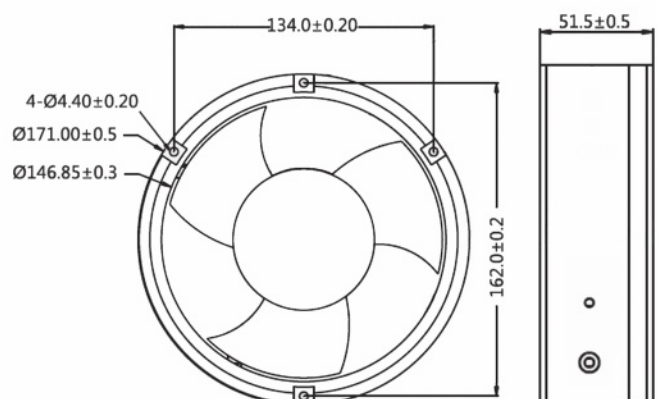
直流轴流风扇

www.mutualmotor.com

Air Flow and Static Pressure



Dimensions Drawing



Above specification is only for reference and subject to change without notice.

以上数据仅供参考, 如有变更恕不另行通知。