

M15050 DC AXIAL FAN Series

□ 150x150x51mm

AUTO
RESTAR

PWM

FG

RD
SIGNAL H

RD
SIGNAL L

Impeller : 3 blades ,made of plastic PBT UL94 V-0

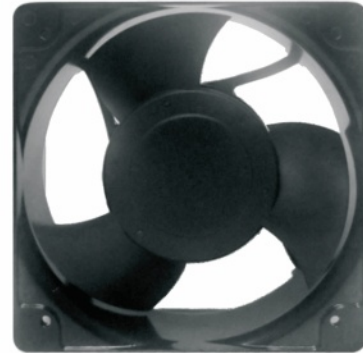
扇 叶: 3叶,PBT塑料制, 阻燃等级UL94 V-0

Frame : Made of Aluminum die-casting ADC-12

扇 框: 压铸铝 ADC-12

Motor : 8 Poles brushless DC motor

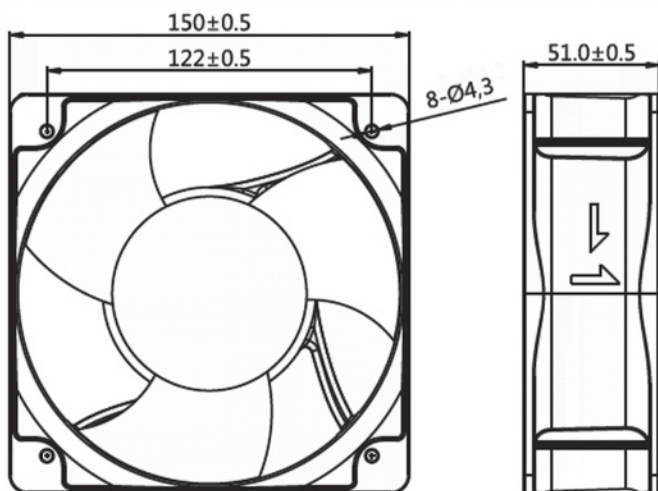
電 機: 8极无刷直流



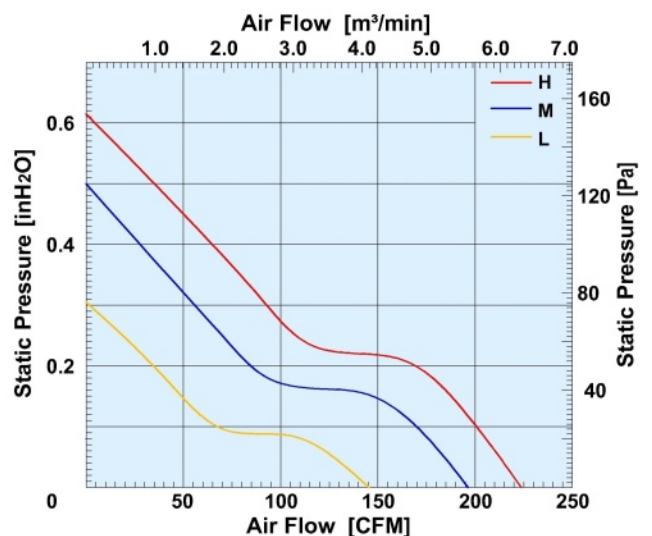
Model (型号)	Bearing System (轴承)	Rated Voltage (电压) [V]	Voltage Range (电压范围) [V]	Current (电流) [A]	Speed (转速) [RPM]	Maximum Air Flow (风量) [CFM]	Maximum Air Flow (风量) [m³/min]	Max. Static Pressure (静压) [inH ₂ O]	Max. Static Pressure (静压) [Pa]	Noise Level (噪音) [dB-A]	Mass (质量) [g]
M15050LD1	B	12	6.0~13.5	0.41	2000	145.7	4.13	0.31	77.2	46.8	685
M15050LD2	B	24	18.0~26.5	0.21	2000	145.7	4.13	0.31	77.2	46.8	685
M15050LD4	B	48	36.0~54.0	0.11	2000	145.7	4.13	0.31	77.2	46.8	685
M15050MD1	B	12	6.0~13.5	0.80	2500	196.8	5.57	0.5	124.5	50.0	690
M15050MD2	B	24	18.0~26.5	0.41	2500	196.8	5.57	0.5	124.5	50.0	690
M15050MD4	B	48	36.0~54.0	0.20	2500	196.8	5.57	0.5	124.5	50.0	690
M15050HD1	B	12	6.0~13.5	1.22	3000	224	6.34	0.63	156.9	52.9	694
M15050HD2	B	24	18.0~26.5	0.52	3000	224	6.34	0.63	156.9	52.9	694
M15050HD4	B	48	36.0~54.0	0.28	3000	224	6.34	0.63	156.9	52.9	694

PS.高转数据参考M17150---3叶

Dimensions Drawing



Air Flow and Static Pressure



Above specification is only for reference and subject to change without notice.

以上数据仅供参考, 如有变更恕不另行通知。