

M8010 Series

DC AXIAL FAN  
80 x 80 x 10 mm



Impeller : 11 blades ,made of plastic PBT UL94 V-0

扇 叶: 11叶,PBT塑料制,阻燃等级UL94 V-0

Frame : Made of plastic PBT UL94 V-0

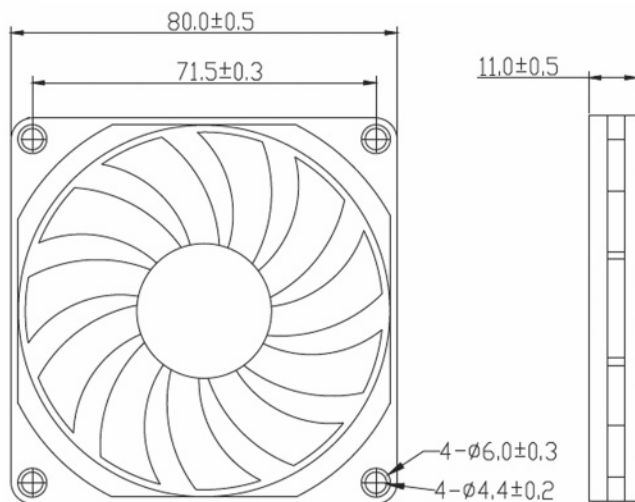
扇 框: PBT塑料制,阻燃等级UL94 V-0

Motor : 4 Poles brushless DC motor

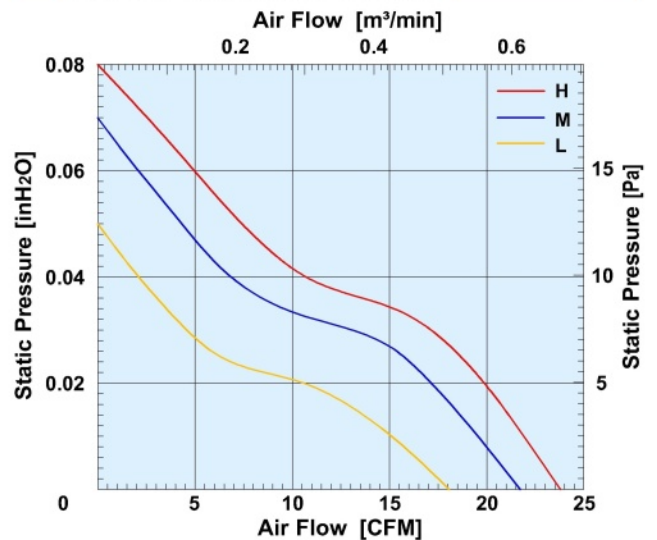
電 機: 4极无刷直流

Model (型号)	Bearing System (轴承)	Rated Voltage (电压) [V]	Voltage Range (电压范围) [V]	Current (电流) [A]	Speed (转速) [RPM]	Maximum Air Flow (风量) [CFM]	Maximum Air Flow (风量) [m³/min]	Max. Static Pressure (静压) [InH₂O]	Max. Static Pressure (静压) [Pa]	Niose Level (噪音) [dB-A]	Mass (质量) [g]
M8010LD0	B/S	5	3.6~6.8	0.21	2500	18.11	0.51	0.05	12.45	26.4	36
M8010LD1	B/S	12	6.0~13.5	0.15	2500	18.11	0.51	0.05	12.45	26.4	36
M8010LD2	B/S	24	18.0~26.5	0.08	2500	18.11	0.51	0.05	12.45	26.4	36
M8010MD1	B/S	12	6.0~13.5	0.19	3000	21.71	0.61	0.07	17.43	30.2	38
M8010MD2	B/S	24	18.0~26.5	0.13	3000	21.71	0.61	0.07	17.43	30.2	38
M8010HD1	B/S	12	6.0~13.5	0.25	3300	23.81	0.67	0.08	19.92	32.4	39
M8010HD2	B/S	24	18.0~26.5	0.16	3300	23.81	0.67	0.08	19.92	32.4	39

Dimensions Drawing



Air Flow and Static Pressure



Above specification is only for reference and subject to change without notice.  
以上数据仅供参考, 如有变更恕不另行通知。