

M6010 Series

DC AXIAL FAN

□ 60 x 60 x 10 mm

AUTO
RESTAR

PWM

FG

RD
SIGNAL H

RD
SIGNAL L



Impeller : 11 blades ,made of plastic PBT UL94 V-0

扇 叶: 11叶,PBT塑料制,阻燃等级UL94 V-0

Frame : Made of plastic PBT UL94 V-0

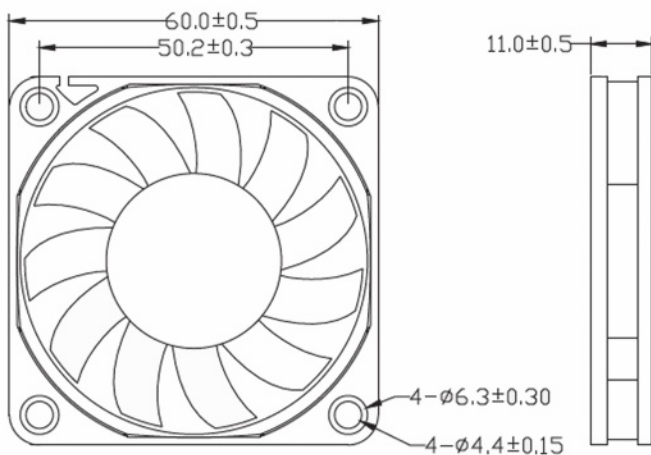
扇 框: PBT塑料制,阻燃等级UL94 V-0

Motor : 4 Poles brushless DC motor

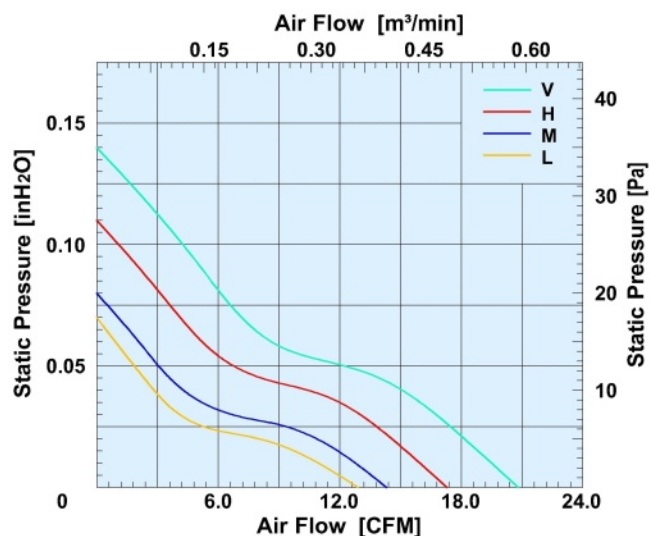
電 機: 4极无刷直流

Model (型号)	Bearing System (轴承)	Rated Voltage (电压) [V]	Voltage Range (电压范围) [V]	Current (电流) [A]	Speed (转速) [RPM]	Maximum Air Flow (风量) [CFM]	Maximum Air Flow (风量) [m³/min]	Max. Static Pressure (静压) [InH2O]	Max. Static Pressure (静压) [Pa]	Niose Level (噪音) [dB-A]	Mass (质量) [g]
M6010LD0	B/S	5	3.6~6.8	0.19	3200	12.9	0.365	0.07	17.4	23.5	20
M6010LD1	B/S	12	6.0~13.5	0.11	3200	12.9	0.365	0.07	17.4	23.5	20
M6010MD0	B/S	5	3.6~6.8	0.26	3700	14.33	0.411	0.08	19.9	26.6	20
M6010MD1	B/S	12	6.0~13.5	0.14	3700	14.33	0.411	0.08	19.9	26.6	20
M6010HD1	B/S	12	6.0~13.5	0.19	4300	17.31	0.491	0.11	27.4	30.2	20.5
M6010HD2	B/S	24	18.0~26.5	0.12	4300	17.31	0.491	0.11	27.4	30.2	20.5
M6010VD1	B/S	12	6.0~13.5	0.26	5000	20.8	0.591	0.14	34.8	33.0	20.5
M6010VD2	B/S	24	18.0~26.5	0.15	5000	20.8	0.591	0.14	34.8	33.0	20.5

Dimensions Drawing



Air Flow and Static Pressure



Above specification is only for reference and subject to change without notice.

以上数据仅供参考, 如有变更恕不另行通知。