

M6015 Series

DC AXIAL FAN

□ 60 x 60 x 15 mm



Impeller : 7 blades ,made of plastic PBT UL94 V-0

扇 叶: 7叶,PBT塑料制, 阻燃等级UL94 V-0

Frame : Made of plastic PBT UL94 V-0

扇 框: PBT塑料制, 阻燃等级UL94 V-0

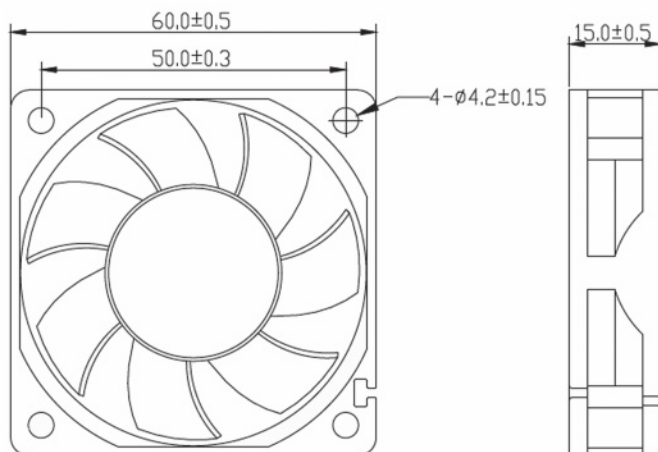
Motor : 4 Poles brushless DC motor

電 機: 4极无刷直流

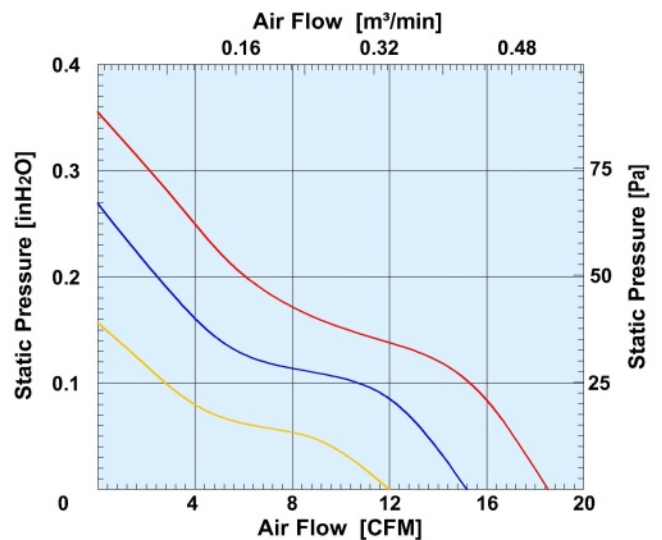


Model (型号)	Bearing System (轴承)	Rated Voltage (电压) [V]	Voltage Range (电压范围) [V]	Current (电流) [A]	Speed (转速) [RPM]	Maximum Air Flow (风量) [CFM]	Maximum Air Flow (风量) [m³/min]	Max. Static Pressure (静压) [InH2O]	Max. Static Pressure (静压) [Pa]	Noise Level (噪音) [dB-A]	Mass (质量) [g]
M6015LD0	B/S	5	3.6~6.8	0.21	4000	12.0	0.34	0.157	39	30.9	37
M6015LD1	B/S	12	6.0~13.5	0.10	4000	12.0	0.34	0.157	39	30.9	37
M6015MD1	B/S	12	6.0~13.5	0.15	5000	15.16	0.43	0.269	67	36.5	37.5
M6015MD2	B/S	24	18.0~26.5	0.09	5000	15.16	0.43	0.269	67	36.5	37.5
M6015HD1	B/S	12	6.0~13.5	0.17	6000	18.42	0.52	0.356	88.6	39.0	38
M6015HD2	B/S	24	18.0~26.5	0.10	6000	18.42	0.52	0.356	88.6	39.0	38

Dimensions Drawing



Air Flow and Static Pressure



Above specification is only for reference and subject to change without notice.

以上数据仅供参考，如有变更恕不另行通知。