

AUTO
RESTAR

PWM

FG

RD
SIGNAL H

RD
SIGNAL L

DC AXIAL FAN

□ 60 x 60 x 15 mm

M6015
Series



Impeller : 9 blades ,made of plastic PBT UL94 V-0

扇 叶: 9叶,PBT塑料制,阻燃等级UL94 V-0

Frame : Made of plastic PBT UL94 V-0

扇 框: PBT塑料制,阻燃等级UL94 V-0

Motor : 4 Poles brushless DC motor

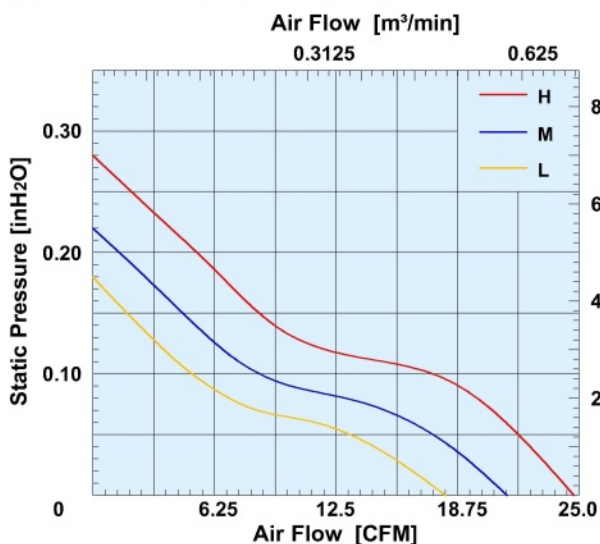
電 機: 4极无刷直流

Model (型号)	Bearing System (轴承)	Rated Voltage (电压) [V]	Voltage Range (电压范围) [V]	Current (电流) [A]	Speed (转速) [RPM]	Maximum Air Flow (风量) [CFM]	Maximum Air Flow (风量) [m³/min]	Max. Static Pressure (静压) [InH ₂ O]	Max. Static Pressure (静压) [Pa]	Niose Level (噪音) [dB-A]	Mass (质量) [g]
M6015LD0	B/S	5	3.6~6.8	0.21	4500	18.17	0.51	0.18	44.8	35	38
M6015LD1	B/S	12	6.0~13.5	0.10	4500	18.17	0.51	0.18	44.8	35	38
M6015LD2	B/S	24	18.0~26.5	0.06	4500	18.17	0.51	0.18	44.8	35	38
M6015MD1	B/S	12	6.0~13.5	0.17	5100	21.27	0.61	0.22	54.8	37.4	38.5
M6015MD2	B/S	24	18.0~26.5	0.08	5100	21.27	0.61	0.22	54.8	37.4	38.5
M6015HD1	B/S	12	6.0~13.5	0.20	6000	24.80	0.71	0.28	69.7	39.5	39
M6015HD2	B/S	24	18.0~26.5	0.11	6000	24.80	0.71	0.28	69.7	39.5	39

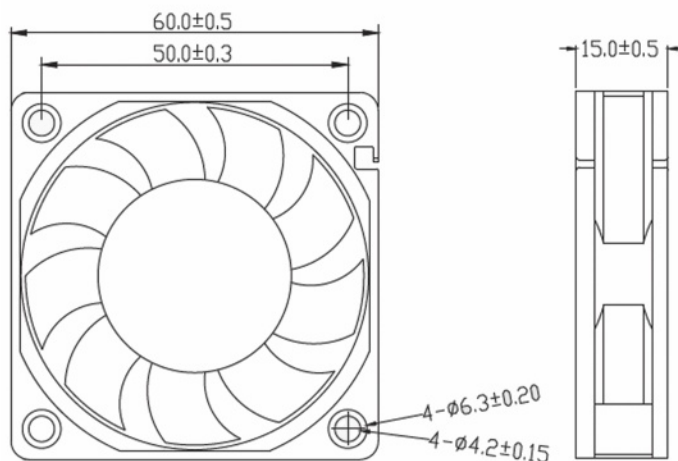
MUTUAL MOTOR

直流轴流风扇

Air Flow and Static Pressure



Dimensions Drawing



Above specification is only for reference and subject to change without notice.
以上数据仅供参考, 如有变更恕不另行通知。

www.mutualmotor.com