

# M3507 DC AXIAL FAN Series

## □ 35 x 35 x 7 mm



Impeller : 7 blades ,made of plastic PBT UL94 V-0

扇 叶: 7叶,PBT塑料制, 阻燃等级UL94 V-0

Frame : Made of plastic PBT UL94 V-0

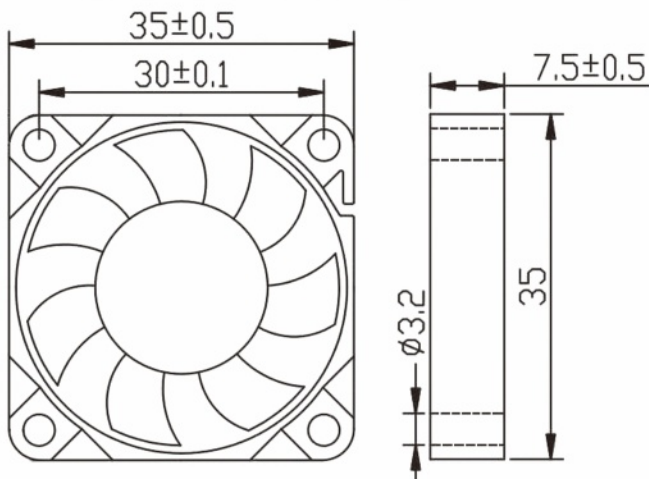
扇 框: PBT塑料制, 阻燃等级UL94 V-0

Motor : 4 Poles brushless DC motor

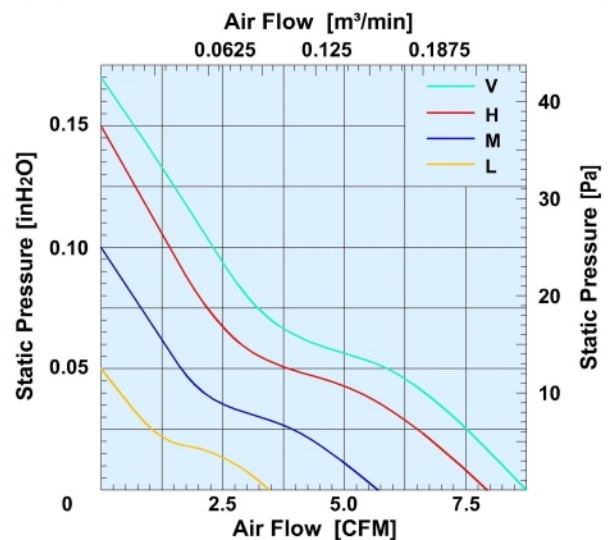
電 機: 4极无刷直流

Model (型号)	Bearing System (轴承)	Rated Voltage (电压) [V]	Voltage Range (电压范围) [V]	Current (电流) [A]	Speed (转速) [RPM]	Maximum Air Flow (风量) [CFM]	Maximum Air Flow (风量) [m³/min]	Max. Static Pressure (静压) [InH2O]	Max. Static Pressure (静压) [Pa]	Noise Level (噪音) [dB-A]	Mass (质量) [g]
M3507LD0	B/S	5	3.6~6.8	0.11	4500	3.46	0.11	0.05	12.45	19.5	6.8
M3507LD1	B/S	12	6.0~13.5	0.04	4500	3.46	0.11	0.05	12.45	19.5	6.8
M3507MD0	B/S	5	3.6~6.8	0.17	6500	5.67	0.16	0.10	24.9	22.3	6.8
M3507MD1	B/S	12	6.0~13.5	0.06	6500	5.67	0.16	0.10	24.9	22.3	6.8
M3507HD0	B/S	5	3.6~6.8	0.25	9000	7.88	0.22	0.15	37.35	29.5	6.8
M3507HD1	B/S	12	6.0~13.5	0.10	9000	7.88	0.22	0.15	37.35	29.5	6.8
M3507VD0	B/S	5	3.6~6.8	0.33	10000	8.75	0.25	0.17	42.3	32.6	6.8
M3507VD1	B/S	12	6.0~13.5	0.12	10000	8.75	0.25	0.17	42.3	32.6	6.8

### Dimensions Drawing



### Air Flow and Static Pressure



Above specification is only for reference and subject to change without notice.

以上数据仅供参考, 如有变更恕不另行通知。