

M4510 Series

DC AXIAL FAN

45 x 45 x 10 mm



Impeller : 9 blades ,made of plastic PBT UL94 V-0

扇 叶: 9叶,PBT塑料制, 阻燃等级UL94 V-0

Frame : Made of plastic PBT UL94 V-0

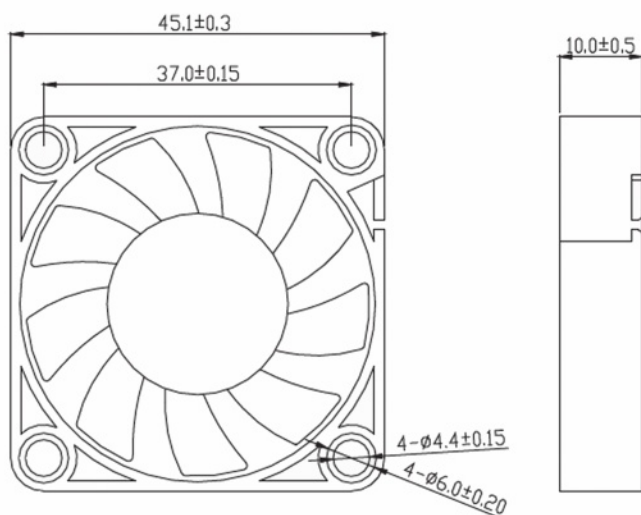
扇 框: PBT塑料制, 阻燃等级UL94 V-0

Motor : 4 Poles brushless DC motor

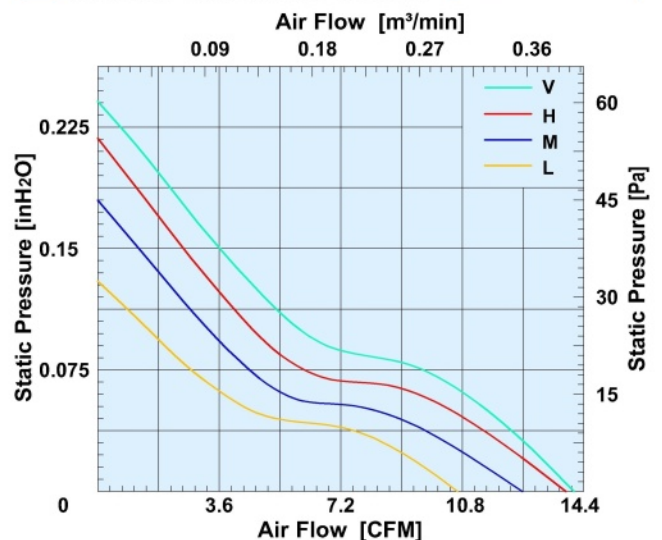
電 機: 4极无刷直流

Model (型号)	Bearing System (轴承)	Rated Voltage (电压) [V]	Voltage Range (电压范围) [V]	Current (电流) [A]	Speed (转速) [RPM]	Maximum Air Flow (风量) [CFM]	Maximum Air Flow (风量) [m³/min]	Max. Static Pressure (静压) [InH ₂ O]	Max. Static Pressure (静压) [Pa]	Noise Level (噪音) [dB-A]	Mass (质量) [g]
M4510LD0	B/S	5	3.6~6.8	0.14	5000	10.65	0.31	0.13	32.4	30.2	17
M4510LD1	B/S	12	6.0~13.5	0.07	5000	10.65	0.31	0.13	32.4	30.2	17
M4510MD0	B/S	5	3.6~6.8	0.18	6000	12.53	0.36	0.18	44.8	32.6	17
M4510MD1	B/S	12	6.0~13.5	0.08	6000	12.53	0.36	0.18	44.8	32.6	17
M4510HD0	B/S	5	3.6~6.8	0.27	6500	13.81	0.39	0.22	54.8	36.5	17.6
M4510HD1	B/S	12	6.0~13.5	0.10	6500	13.81	0.39	0.22	54.8	36.5	17.6
M4510VD1	B/S	12	6.0~13.5	0.15	7000	14.15	0.41	0.24	59.8	38.4	18
M4510VD2	B/S	24	18.0~26.5	0.08	7000	14.15	0.41	0.24	59.8	38.4	18

Dimensions Drawing



Air Flow and Static Pressure



Above specification is only for reference and subject to change without notice.

以上数据仅供参考, 如有变更恕不另行通知。