

M4028 DC AXIAL FAN Series

□ 40 x 40 x 28 mm

- AUTO (RESTAR)
- PWM
- FG
- RD SIGNAL H
- RD SIGNAL L



Impeller : 5 blades ,made of plastic PBT UL94 V-0

扇 叶: 5叶,PBT塑料制, 阻燃等级UL94 V-0

Frame : Made of plastic PBT UL94 V-0

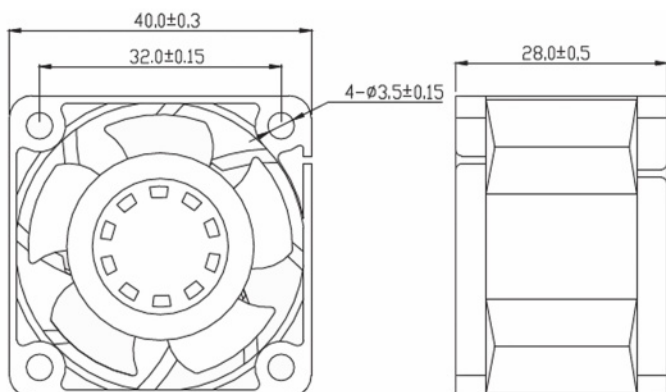
扇 框: PBT塑料制, 阻燃等级UL94 V-0

Motor : 4 Poles brushless DC motor

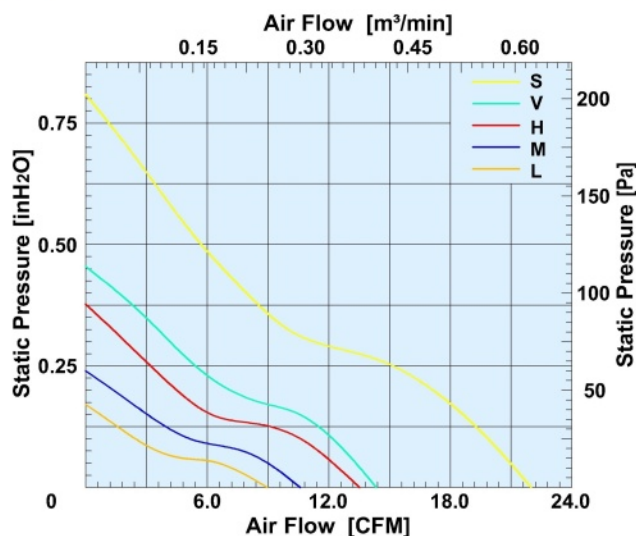
電 機: 4极无刷直流

Model (型号)	Bearing System (轴承)	Rated Voltage (电压) [V]	Voltage Range (电压范围) [V]	Current (电流) [A]	Speed (转速) [RPM]	Maximum Air Flow (风量) [CFM]	Maximum Air Flow (风量) [m³/min]	Max. Static Pressure (静压) [inH ₂ O]	Max. Static Pressure (静压) [Pa]	Niose Level (噪音) [dB-A]	Mass (质量) [g]
M4028LD0	B/S	5	3.6~6.8	0.25	5500	8.92	0.25	0.17	42.3	23.8	29
M4028LD1	B/S	12	6.0~13.5	0.08	5500	8.92	0.25	0.17	42.3	23.8	29
M4028MD0	B/S	5	3.6~6.8	0.32	7000	10.60	0.30	0.24	59.8	28.3	29.8
M4028MD1	B/S	12	6.0~13.5	0.10	7000	10.60	0.30	0.24	59.8	28.3	29.8
M4028MD2	B/S	24	18.0~26.5	0.05	7000	10.60	0.30	0.24	59.8	28.3	29.8
M4028HD1	B/S	12	6.0~13.5	0.16	8500	13.53	0.38	0.38	94.6	32.4	30
M4028HD2	B/S	24	18.0~26.5	0.08	8500	13.53	0.38	0.38	94.6	32.4	30
M4028VD1	B/S	12	6.0~13.5	0.28	10000	14.30	0.40	0.46	114.5	37.6	30
M4028VD2	B/S	24	18.0~26.5	0.09	10000	14.30	0.40	0.46	114.5	37.6	30
M4028SD1	B/S	12	6.0~13.5	0.40	13000	22.0	0.62	0.81	201.7	48.8	32
M4028SD2	B/S	24	18.0~26.5	0.20	13000	22.0	0.62	0.81	201.7	48.8	32

Dimensions Drawing



Air Flow and Static Pressure



Above specification is only for reference and subject to change without notice.

以上数据仅供参考，如有变更恕不另行通知。