

# M4007 Series DC AXIAL FAN

## □ 40 x 40 x 7 mm

AUTO  
RESTAR

PWM

FG

RD  
SIGNAL H

RD  
SIGNAL L



Impeller : 7 blades ,made of plastic PBT UL94 V-0

扇 叶: 7叶,PBT塑料制, 阻燃等级UL94 V-0

Frame : Made of plastic PBT UL94 V-0

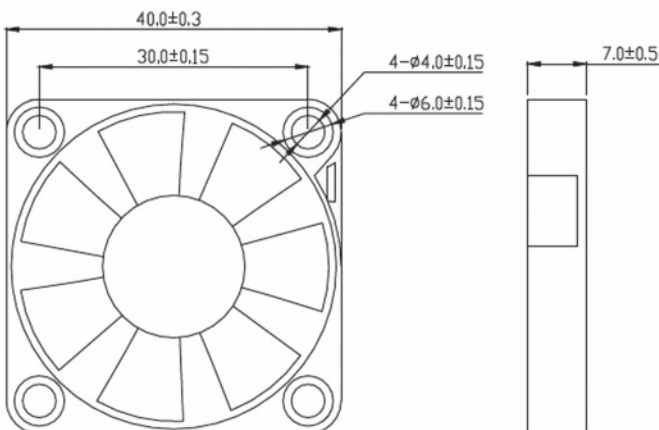
扇 框: PBT塑料制, 阻燃等级UL94 V-0

Motor : 4 Poles brushless DC motor

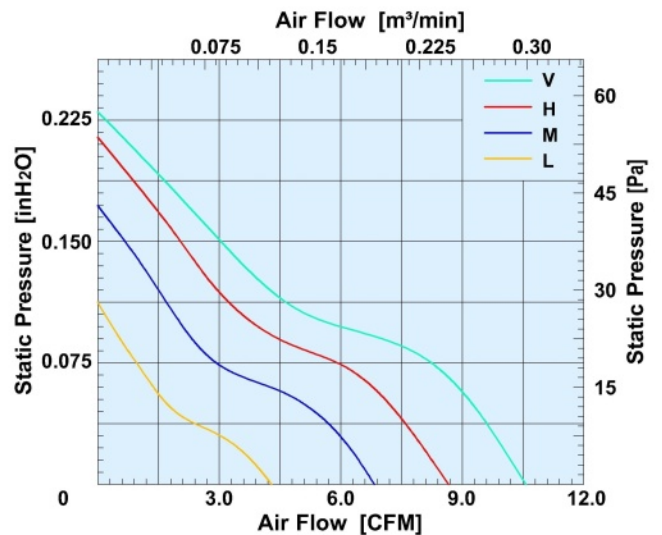
電 機: 4极无刷直流

Model (型号)	Bearing System (轴承)	Rated Voltage (电压) [V]	Voltage Range (电压范围) [V]	Current (电流) [A]	Speed (转速) [RPM]	Maximum Air Flow (风量) [CFM]	Maximum Air Flow (风量) [m³/min]	Max. Static Pressure (静压) [InH <sub>2</sub> O]	Max. Static Pressure (静压) [Pa]	Noise Level (噪音) [dB-A]	Mass (质量) [g]
M4007LD0	B/S	5	3.6~6.8	0.12	4500	4.32	0.12	0.11	27.4	20.6	7.8
M4007LD1	B/S	12	6.0~13.5	0.04	4500	4.32	0.12	0.11	27.4	20.6	7.8
M4007MD0	B/S	5	3.6~6.8	0.18	6000	6.81	0.19	0.17	42.3	24.6	8.0
M4007MD1	B/S	12	6.0~13.5	0.06	6000	6.81	0.19	0.17	42.3	24.6	8.0
M4007HD0	B/S	5	3.6~6.8	0.22	7000	8.65	0.245	0.215	53.5	27.6	8.2
M4007HD1	B/S	12	6.0~13.5	0.08	7000	8.65	0.245	0.215	53.5	27.6	8.2
M4007VD0	B/S	5	3.6~6.8	0.25	8000	10.60	0.32	0.23	57.3	31.8	8.5
M4007VD1	B/S	12	6.0~13.5	0.10	8000	10.60	0.32	0.23	57.3	31.8	8.5

### Dimensions Drawing



### Air Flow and Static Pressure



Above specification is only for reference and subject to change without notice.

以上数据仅供参考, 如有变更恕不另行通知。