

AUTO
RESTAR

FG

RD
SIGNAL H

RD
SIGNAL L

DC AXIAL FAN

□ 35 x 35 x 10 mm

M3510
Series



Impeller : 5 blades ,made of plastic PBT UL94 V-0

扇 叶: 5叶,PBT塑料制,阻燃等级UL94 V-0

Frame : Made of plastic PBT UL94 V-0

扇 框: PBT塑料制,阻燃等级UL94 V-0

Motor : 4 Poles brushless DC motor

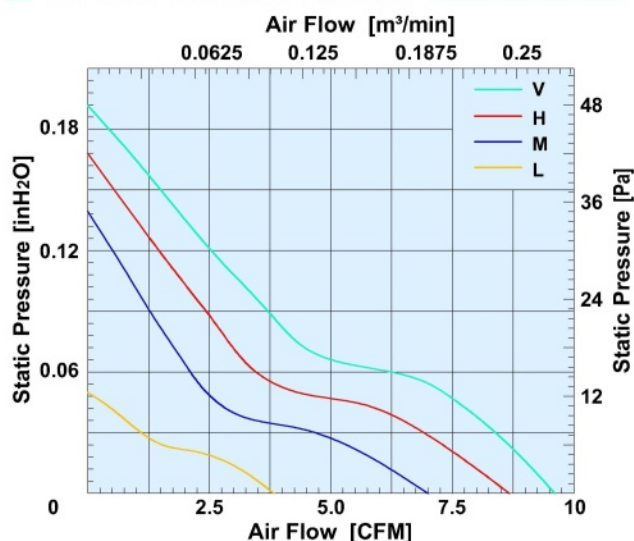
電 機: 4极无刷直流

Model (型号)	Bearing System (轴承)	Rated Voltage (电压) [V]	Voltage Range (电压范围) [V]	Current (电流) [A]	Speed (转速) [RPM]	Maximum Air Flow (风量) [CFM]	Maximum Air Flow (风量) [m³/min]	Max. Static Pressure (静压) [InH2O]	Max. Static Pressure (静压) [Pa]	Niose Level (噪音) [dB-A]	Mass (质量) [g]
M3510LD0	B/S	5	3.6~6.8	0.09	5000	3.85	0.10	0.05	12.45	21.3	8.5
M3510LD1	B/S	12	6.0~13.5	0.04	5000	3.85	0.10	0.05	12.45	21.3	8.5
M3510MD0	B/S	5	3.6~6.8	0.20	8000	7.02	0.19	0.14	34.9	31.5	8.8
M3510MD1	B/S	12	6.0~13.5	0.08	8000	7.02	0.19	0.14	34.9	31.5	8.8
M3510HD0	B/S	5	3.6~6.8	0.21	10000	8.67	0.25	0.17	42.3	34.2	9.0
M3510HD1	B/S	12	6.0~13.5	0.09	10000	8.67	0.25	0.17	42.3	34.2	9.0
M3510VD0	B/S	5	3.6~6.8	0.24	10500	9.61	0.27	0.19	47.3	35.3	9.0
M3510VD1	B/S	12	6.0~13.5	0.10	10500	9.61	0.27	0.19	47.3	35.3	9.0

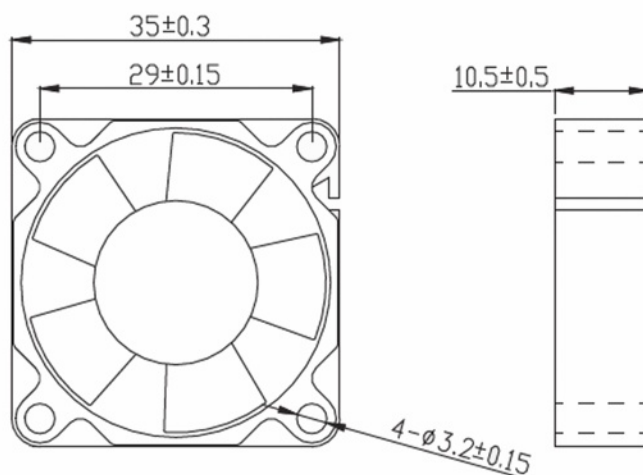
MUTUAL MOTOR

直
流
軸
流
風
扇

Air Flow and Static Pressure



Dimensions Drawing



Above specification is only for reference and subject to change without notice.

以上数据仅供参考,如有变更恕不另行通知。

www.mutualmotor.com