

AUTO  
RESTAR

FG

RD  
SIGNAL H

RD  
SIGNAL L

# DC AXIAL FAN

□ 30 x 30 x 10 mm

M3010  
Series



Impeller : 5 blades ,made of plastic PBT UL94 V-0

扇 叶: 5叶,PBT塑料制,阻燃等级UL94 V-0

Frame : Made of plastic PBT UL94 V-0

扇 框: PBT塑料制,阻燃等级UL94 V-0

Motor : 4 Poles brushless DC motor

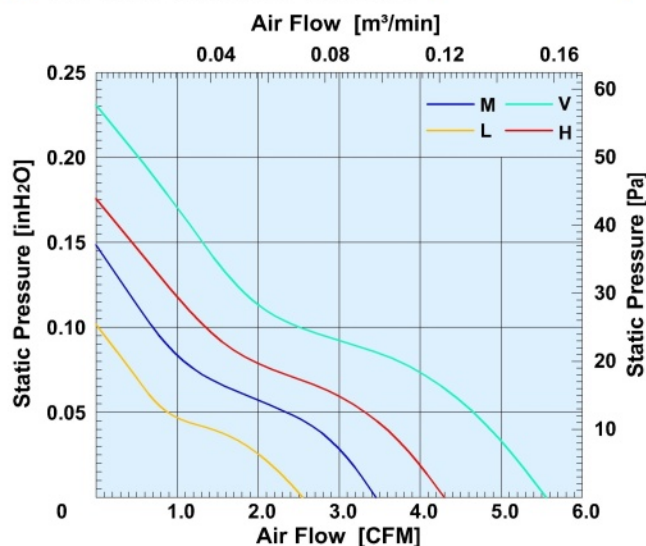
電 機: 4极无刷直流

Model (型号)	Bearing System (轴承)	Rated Voltage (电压) [V]	Voltage Range (电压范围) [V]	Current (电流) [A]	Speed (转速) [RPM]	Maximum Air Flow (风量) [CFM]	Maximum Air Flow (风量) [m³/min]	Max. Static Pressure (静压) [InH <sub>2</sub> O]	Max. Static Pressure (静压) [Pa]	Niose Level (噪音) [dB-A]	Mass (质量) [g]
M3010LD0	B/S	5	3.6~6.8	0.10	5800	2.56	0.07	0.102	25.4	21.5	7.2
M3010LD1	B/S	12	6.0~13.5	0.03	5800	2.56	0.07	0.102	25.4	21.5	7.2
M3010MD0	B/S	5	3.6~6.8	0.15	8500	3.46	0.10	0.148	36.8	26.5	7.4
M3010MD1	B/S	12	6.0~13.5	0.05	8500	3.46	0.10	0.148	36.8	26.5	7.4
M3010HD0	B/S	5	3.6~6.8	0.17	10500	4.30	0.12	0.176	43.8	29	7.5
M3010HD1	B/S	12	6.0~13.5	0.08	10500	4.30	0.12	0.176	43.8	29	7.5
M3010VD0	B/S	5	3.6~6.8	0.22	13000	5.56	0.16	0.231	57.5	32	7.6
M3010VD1	B/S	12	6.0~13.5	0.09	13000	5.56	0.16	0.231	57.5	32	7.6

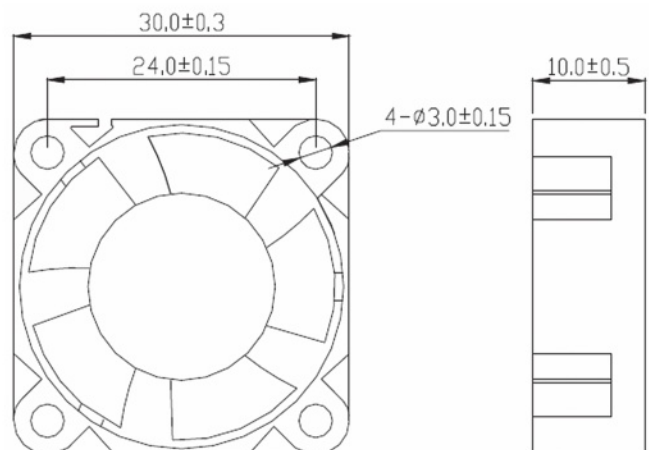
MUTUAL MOTOR

直流軸流風扇

## Air Flow and Static Pressure



## Dimensions Drawing



Above specification is only for reference and subject to change without notice.

以上数据仅供参考, 如有变更恕不另行通知。

www.mutualmotor.com