

AUTO
RESTAR

FG

RD
SIGNAL H

RD
SIGNAL L

DC AXIAL FAN

□ 25 x 25 x 10 mm

M2510
Series



Impeller : 5 blades ,made of plastic PBT UL94 V-0

扇 叶: 5叶,PBT塑料制,阻燃等级UL94 V-0

Frame : Made of plastic PBT UL94 V-0

扇 框: PBT塑料制,阻燃等级UL94 V-0

Motor : 4 Poles brushless DC motor

電 機: 4极无刷直流

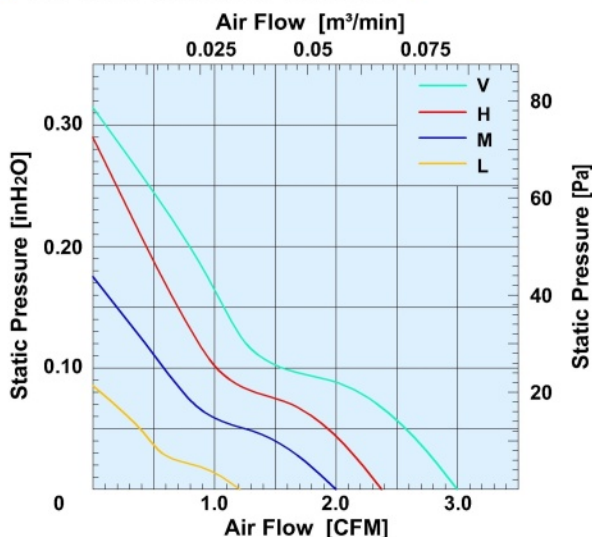
Model (型号)	Bearing System (轴承)	Rated Voltage (电压) [V]	Voltage Range (电压范围) [V]	Current (电流) [A]	Speed (转速) [RPM]	Maximum Air Flow (风量) [CFM]	Maximum Air Flow (风量) [m³/min]	Max. Static Pressure (静压) [InH ₂ O]	Max. Static Pressure (静压) [Pa]	Niose Level (噪音) [dB-A]	Mass (质量) [g]
M2510LD0	B/S	5	3.6~6.8	0.09	7000	1.21	0.034	0.085	21.2	19.6	6.8
M2510LD1	B/S	12	6.0~13.5	0.03	7000	1.21	0.034	0.085	21.2	19.6	6.8
M2510MD0	B/S	5	3.6~6.8	0.13	10000	2.00	0.056	0.176	43.8	22.8	6.8
M2510MD1	B/S	12	6.0~13.5	0.05	10000	2.00	0.056	0.176	43.8	22.8	6.8
M2510HD0	B/S	5	3.6~6.8	0.17	12000	2.38	0.067	0.29	72.2	25.2	6.8
M2510HD1	B/S	12	6.0~13.5	0.08	12000	2.38	0.067	0.29	72.2	25.2	6.8
M2510VD0	B/S	5	3.6~6.8	0.23	15000	3.00	0.085	0.314	78.2	29.0	6.8
M2510VD1	B/S	12	6.0~13.5	0.10	15000	3.00	0.085	0.314	78.2	29.0	6.8

MUTUAL MOTOR

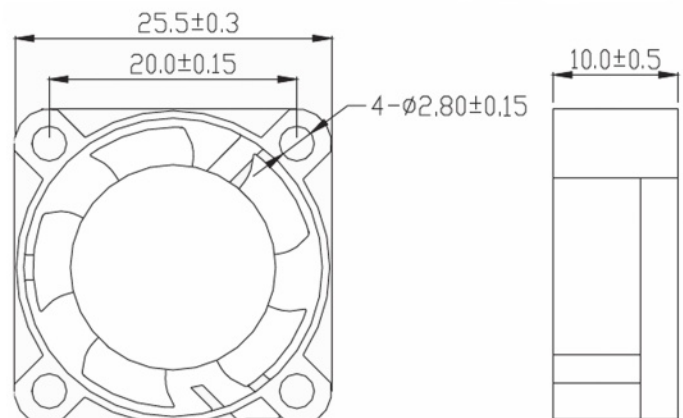
直流轴流风扇

www.mutualmotor.com

Air Flow and Static Pressure



Dimensions Drawing



Above specification is only for reference and subject to change without notice.
以上数据仅供参考, 如有变更恕不另行通知。