

AUTO
RESTAR

FG
~~~~~

RD  
SIGNAL H

RD  
SIGNAL L

# DC AXIAL FAN

□ 20 x 20 x 10 mm

# M2010

# Series



MUTUAL MOTOR



Impeller : 5 blades ,made of plastic PBT UL94 V-0

扇 叶: 5叶,PBT塑料制,阻燃等级UL94 V-0

Frame : Made of plastic PBT UL94 V-0

扇 框: PBT塑料制,阻燃等级UL94 V-0

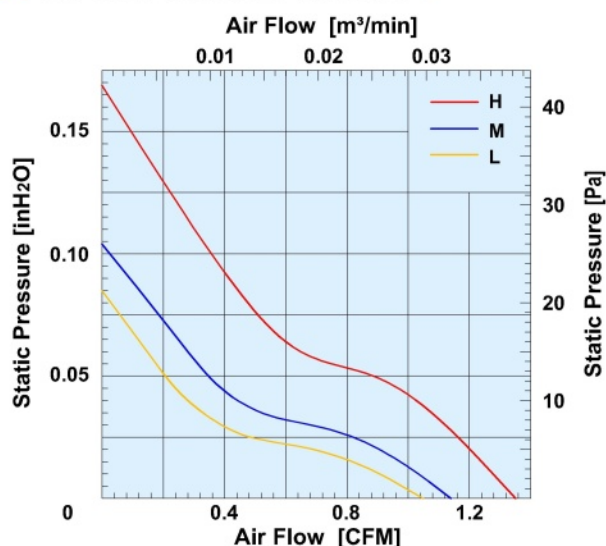
Motor : 4 Poles brushless DC motor

電 機: 4极无刷直流

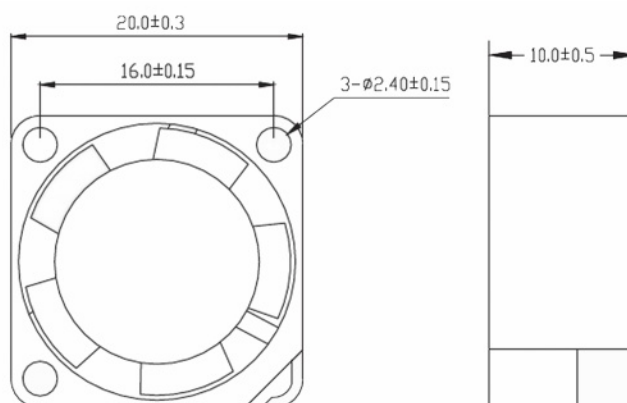
| Model<br>(型号) | Bearing System<br>(轴承) | Rated Voltage<br>(电压)<br>[V] | Voltage Range<br>(电压范围)<br>[V] | Current<br>(电流)<br>[A] | Speed<br>(转速)<br>[RPM] | Maximum Air Flow<br>(风量)<br>[CFM] | Maximum Air Flow<br>(风量)<br>[m³/min] | Max. Static Pressure<br>(静压)<br>[InH <sub>2</sub> O] | Max. Static Pressure<br>(静压)<br>[Pa] | Niose Level<br>(噪音)<br>[dB-A] | Mass<br>(质量)<br>[g] |
|---------------|------------------------|------------------------------|--------------------------------|------------------------|------------------------|-----------------------------------|--------------------------------------|------------------------------------------------------|--------------------------------------|-------------------------------|---------------------|
| M2010LD0      | B/S                    | 5                            | 3.6~6.8                        | 0.06                   | 10000                  | 1.05                              | 0.03                                 | 0.085                                                | 21.2                                 | 18.8                          | 3.8                 |
| M2010LD1      | B/S                    | 12                           | 6.0~13.5                       | 0.03                   | 10000                  | 1.05                              | 0.03                                 | 0.085                                                | 21.2                                 | 18.8                          | 3.8                 |
| M2010MD0      | B/S                    | 5                            | 3.6~6.8                        | 0.08                   | 12000                  | 1.145                             | 0.032                                | 0.104                                                | 25.9                                 | 21.3                          | 3.8                 |
| M2010MD1      | B/S                    | 12                           | 6.0~13.5                       | 0.05                   | 12000                  | 1.145                             | 0.032                                | 0.104                                                | 25.9                                 | 21.3                          | 3.8                 |
| M2010HD0      | B/S                    | 5                            | 3.6~6.8                        | 0.13                   | 14000                  | 1.351                             | 0.038                                | 0.169                                                | 42.1                                 | 24.2                          | 3.8                 |
| M2010HD1      | B/S                    | 12                           | 6.0~13.5                       | 0.08                   | 14000                  | 1.351                             | 0.038                                | 0.169                                                | 42.1                                 | 24.2                          | 3.8                 |

直  
流  
軸  
流  
風  
扇

## Air Flow and Static Pressure



## Dimensions Drawing



Above specification is only for reference and subject to change without notice.

以上数据仅供参考, 如有变更恕不另行通知。

www.mutualmotor.com