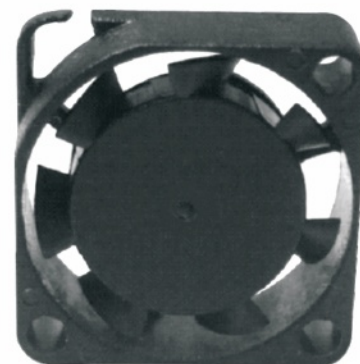


# M2006 Series DC AXIAL FAN

## □ 20 x 20 x 6 mm



Impeller : 7 blades ,made of plastic PBT UL94 V-0

扇 叶: 7叶,PBT塑料制, 阻燃等级UL94 V-0

Frame : Made of plastic PBT UL94 V-0

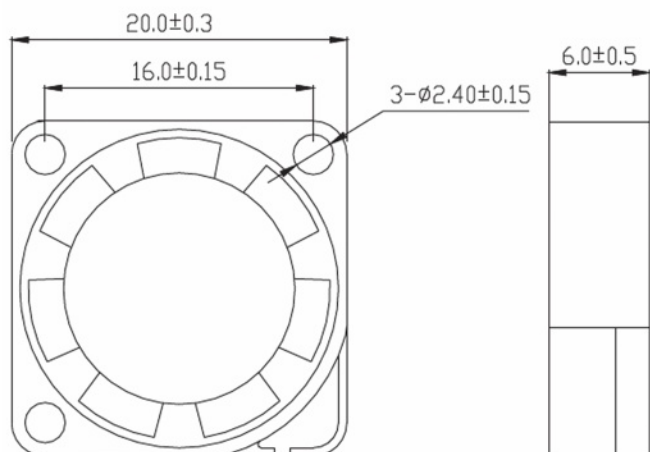
扇 框: PBT塑料制, 阻燃等级UL94 V-0

Motor : 4 Poles brushless DC motor

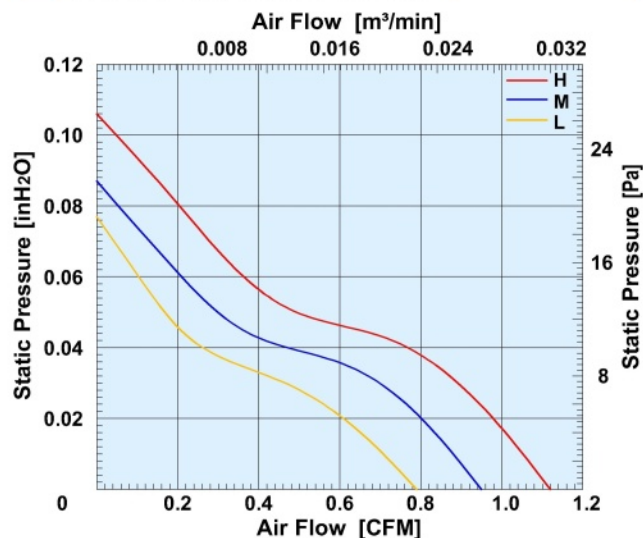
電 機: 4极无刷直流

Model (型号)	Bearing System (轴承)	Rated Voltage (电压) [V]	Voltage Range (电压范围) [V]	Current (电流) [A]	Speed (转速) [RPM]	Maximum Air Flow (风量) [CFM]	Maximum Air Flow (风量) [m³/min]	Max. Static Pressure (静压) [InH <sub>2</sub> O]	Max. Static Pressure (静压) [Pa]	Niose Level (噪音) [dB-A]	Mass (质量) [g]
M2006LD0	B/S	5	3.6~6.8	0.08	8000	0.79	0.022	0.077	19.2	21.5	3.5
M2006LD1	B/S	12	6.0~13.5	0.04	8000	0.79	0.022	0.077	19.2	21.5	3.5
M2006MD0	B/S	5	3.6~6.8	0.12	10000	0.95	0.027	0.087	21.7	25.6	3.5
M2006MD1	B/S	12	6.0~13.5	0.06	10000	0.95	0.027	0.087	21.7	25.6	3.5
M2006HD0	B/S	5	3.6~6.8	0.16	12000	1.12	0.032	0.106	26.4	31.2	3.5
M2006HD1	B/S	12	6.0~13.5	0.10	12000	1.12	0.032	0.106	26.4	31.2	3.5

### Dimensions Drawing



### Air Flow and Static Pressure



Above specification is only for reference and subject to change without notice.

以上数据仅供参考, 如有变更恕不另行通知。