



Impeller : 5 blades ,made of PBT resin

扇 叶: 5叶 PBT塑料

Frame : Made of die-cast Aluminum ADC-12

扇 框: 压铸铝 ADC-12

Motor : Capacitor-run induction motor

電 機: 电容运转异步电机

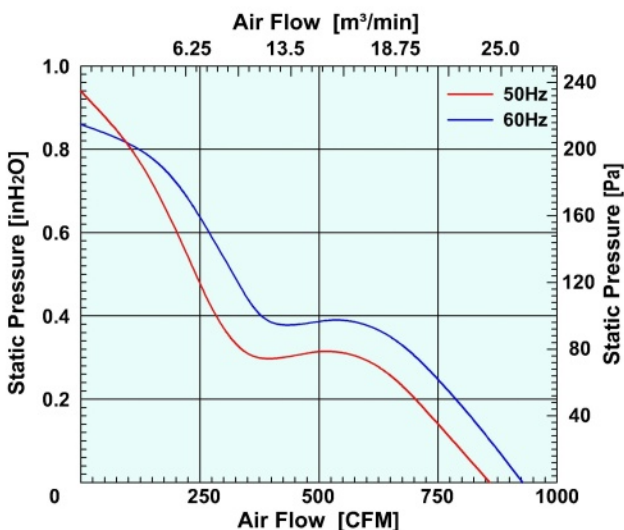
Motor Protection : Impedance protection

电机保护: 热保护

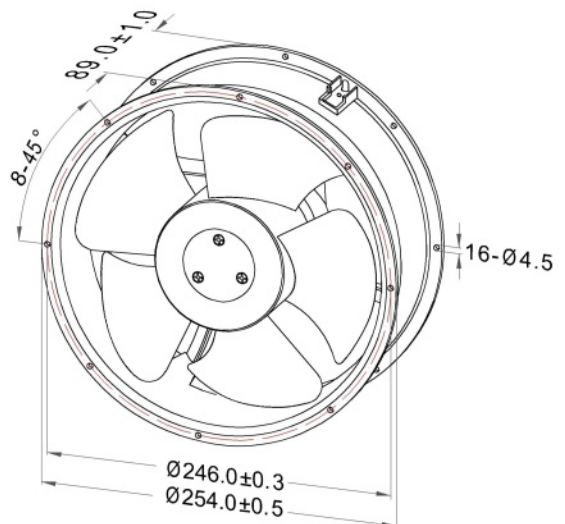
Model (型号)	Bearing System (轴承)	Rated Voltage (电压) [V]	Freq. (频率) [Hz]	Current (电流) [A]	Input power (功率) [W]	Speed (转速) [RPM]	Maximum Air Flow (风量) [CFM]	Maximum Air Flow (风量) [m³/min]	Max. Static Pressure (静压) [InchH ₂ O]	Max. Static Pressure (静压) [Pa]	Niose Level (噪音) [dB-A]	Mass (质量) [g]
M230RFA1H	B/S	115	50/60	0.45/0.56	50/65	2700/3000	860/930	24.3/26.3	0.94/0.86	234/214	62/65	2300
M230RFA2H	B/S	230	50/60	0.22/0.28	50/65	2700/3000	860/930	24.3/26.3	0.94/0.86	234/214	62/65	2300



Air Flow & Static Pressure Curve



Dimensions Drawing



Above specification is only for reference and subject to change without notice.

以上数据仅供参考，如有变更恕不另行通知。