

M145B Series

AC AXIAL FAN
 ○ 172x150x38mm



Impeller : 5 blades ,made of PBT resin

扇 叶: 5叶 PBT塑料

Frame : Made of die-cast Aluminum ADC-12

扇 框: 压铸铝 ADC-12

Motor : Shaded pole induction motor

電 機: 蔽極异步電機

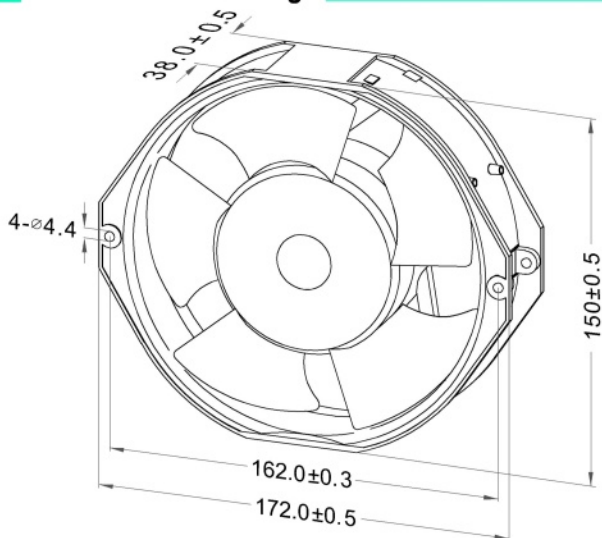
Motor Protection : Impedance protection

電機保护: 阻抗保护

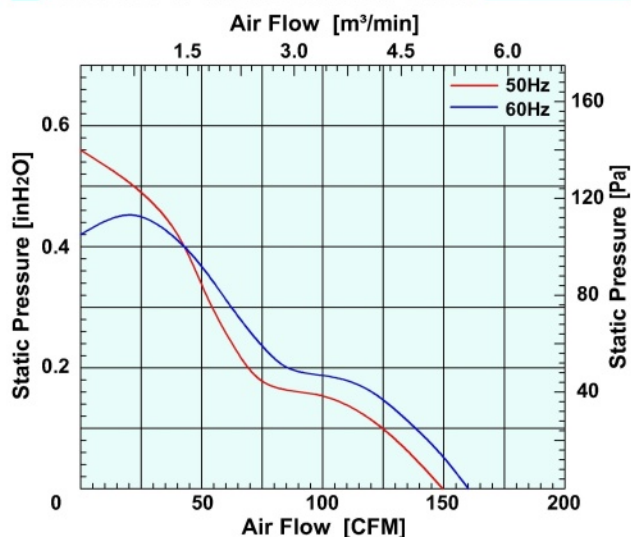


Model (型号)	Bearing System (轴承)	Rated Voltage (电压) [V]	Freq. (频率) [Hz]	Current (电流) [A]	Input power (功率) [W]	Speed (转速) [RPM]	Maximum Air Flow (风量) [CFM]	Maximum Air Flow (风量) [m³/min]	Max. Static Pressure (静压) [InchH2O]	Max. Static Pressure (静压) [Pa]	Noise Level (噪音) [dB-A]	Mass (质量) [g]
M145BA1H	B/S	115	50/60	0.41/0.45	35/38	2500/2800	149/160	4.22/4.53	0.56/0.46	140/115	52/55	720
M145BA2H	B/S	230	50/60	0.20/0.22	35/38	2500/2800	149/160	4.22/4.53	0.56/0.46	140/115	52/55	720

Dimensions Drawing



Air Flow & Static Pressure Curve



Above specification is only for reference and subject to change without notice.

以上数据仅供参考，如有变更恕不另行通知。