

M115B Series

AC AXIAL FAN
□ 120x120x38mm



Impeller : 7 blades ,made of PBT resin

扇 叶: 7叶 PBT塑料

Frame : Made of die-cast Aluminum ADC-12

扇 框: 压铸铝 ADC-12

Motor : Capacitor-run induction motor

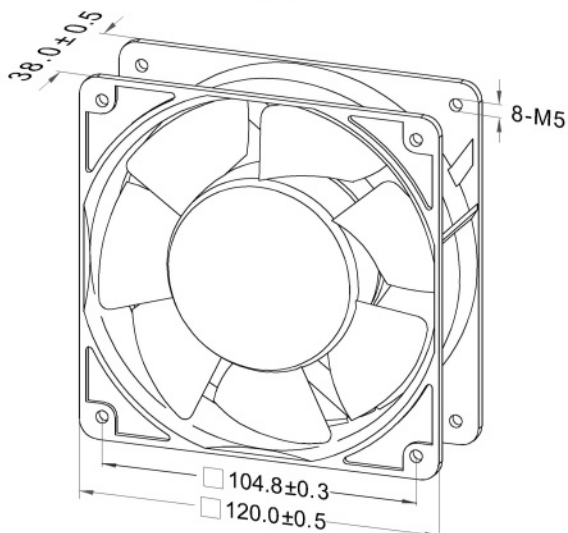
電 機: 电容运转异步电机

Motor Protection : Impedance protection

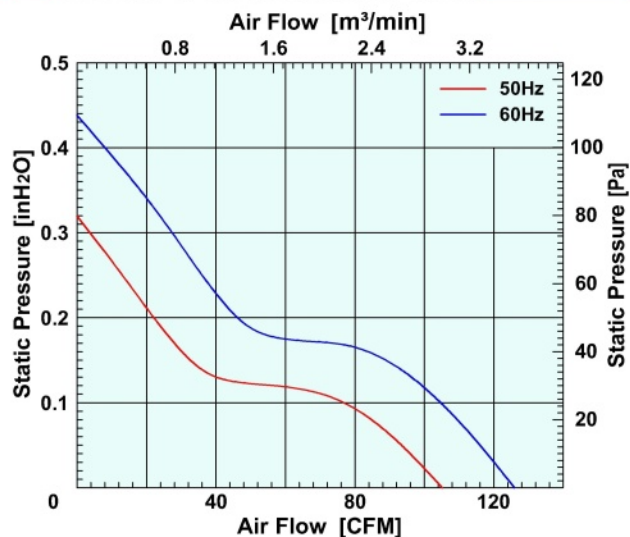
电机保护: 阻抗保护

Model (型号)	Bearing System (轴承)	Rated Voltage (电压) [V]	Freq. (频率) [Hz]	Current (电流) [A]	Input power (功率) [W]	Speed (转速) [RPM]	Maximum Air Flow (风量) [CFM]	Maximum Air Flow (风量) [m³/min]	Max. Static Pressure (静压) [InchH ₂ O]	Max. Static Pressure (静压) [Pa]	Noise Level (噪音) [dB-A]	Mass (质量) [g]
M115BA1H	B/S	115	50/60	0.18/0.15	20/18	2600/3100	105/126	3.0/3.6	0.32/0.44	80/110	45/49	510
M115BA2H	B/S	230	50/60	0.10/0.09	20/18	2600/3100	105/126	3.0/3.6	0.32/0.44	80/110	45/49	510

Dimensions Drawing



Air Flow & Static Pressure Curve



Above specification is only for reference and subject to change without notice.

以上数据仅供参考，如有变更恕不另行通知。