



Impeller : 7 blades ,made of PBT resin

扇 叶: 7叶 PBT塑料

Frame : Made of die-cast Aluminum ADC-12

扇 框: 压铸铝 ADC-12

Motor : Shaded pole induction motor

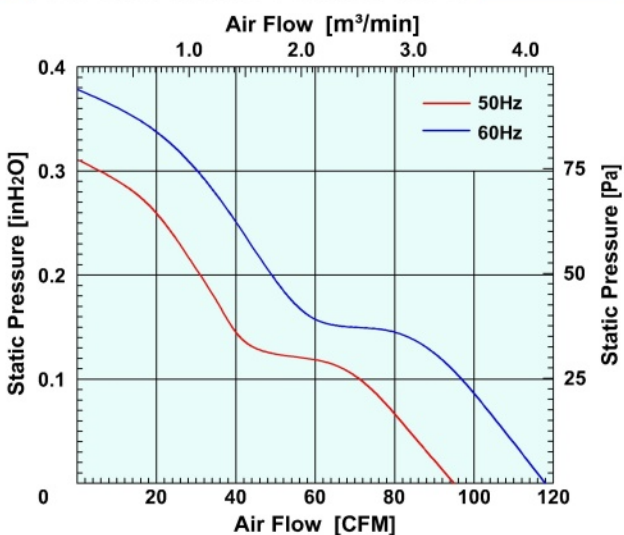
電 機: 蔽極异步电机

Motor Protection : Impedance protection

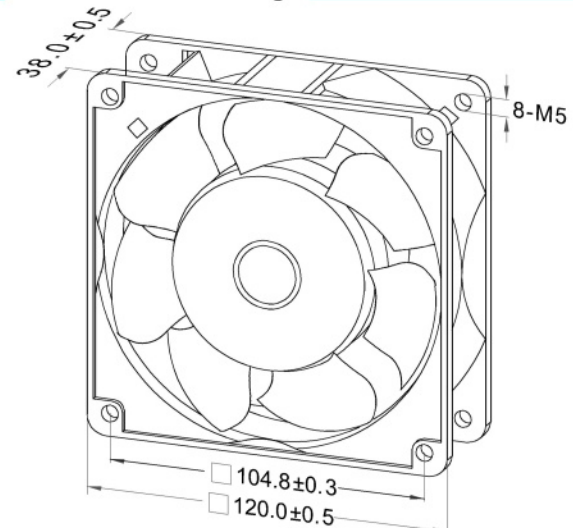
电机保护: 阻抗保护

Model (型号)	Bearing System (轴承)	Rated Voltage (电压) [V]	Freq. (频率) [Hz]	Current (电流) [A]	Input power (功率) [W]	Speed (转速) [RPM]	Maximum Air Flow (风量) [CFM]	Maximum Air Flow (风量) [m³/min]	Max. Static Pressure (静压) [InchH ₂ O]	Max. Static Pressure (静压) [Pa]	Niose Level (噪音) [dB-A]	Mass (质量) [g]
M115BA1H	B/S	115	50/60	0.33/0.26	26/20	2500/2800	95/118	2.7/3.34	0.31/0.38	77/95	35/41	520
M115BA2H	B/S	230	50/60	0.14/0.11	22/19	2500/2800	95/118	2.7/3.34	0.31/0.38	77/95	35/41	520
M115BA3H	B/S	380	50/60	0.07/0.06	17/15	2500/2800	95/118	2.7/3.34	0.31/0.38	77/95	35/41	520

Air Flow & Static Pressure Curve



Dimensions Drawing



Above specification is only for reference and subject to change without notice.
 以上数据仅供参考，如有变更恕不另行通知。