

M115B Series

AC AXIAL FAN  
□ 120x120x38mm

TUV CCC CE cRoHS US RoHS  
双电压 (DUAL VOLTAGE)

Impeller : 5 blades ,made of PBT resin

扇 叶: 5叶 PBT塑料

Frame : Made of die-cast Aluminum ADC-12

扇 框: 压铸铝 ADC-12

Motor : Shaded pole induction motor

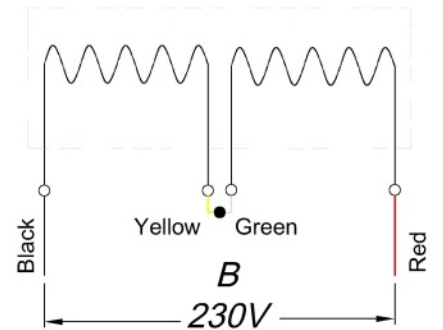
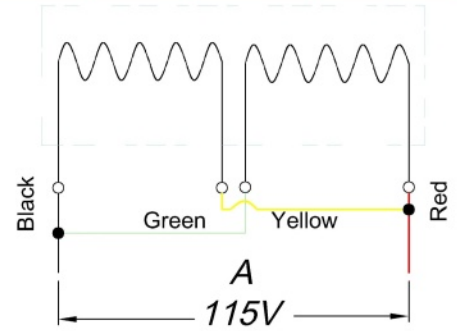
電 機: 蔽極异步電機

Motor Protection : Impedance protection

電機保护: 阻抗保护



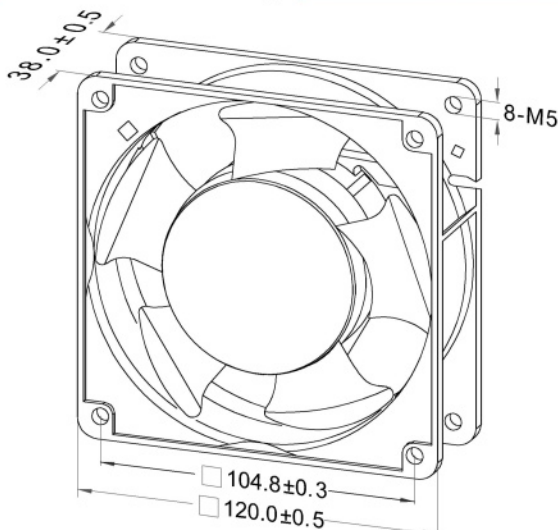
Model (型号)	Bearing System (轴承)	Rated Voltage (电压) [V]	Freq. (频率) [Hz]	Current (电流) [A]	Input power (功率) [W]	Speed (转速) [RPM]	Maximum Air Flow (风量) [CFM]	Maximum Air Flow (风量) [m³/min]	Max. Static Pressure (静压) [InchH2O]	Max. Static Pressure (静压) [Pa]	Noise Level (噪音) [dB-A]	Mass (质量) [g]
M115BA1H	B/S	115	50/60	0.28/0.21	25/19	2600/3000	85/103	2.4/2.9	0.28/0.34	70/85	43/49	520
M115BA2H	B/S	230	50/60	0.13/0.09	17/14	2600/3000	85/103	2.4/2.9	0.28/0.34	70/85	43/49	520



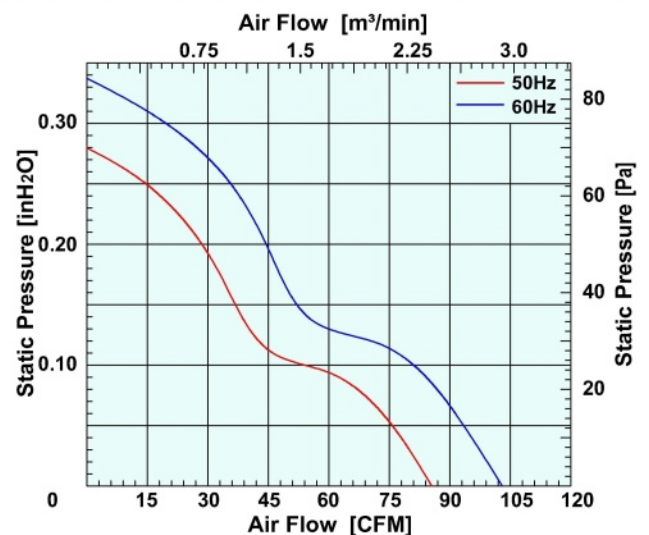
All the AC cooling fan according to customer demand production of dual voltage. Performance parameters are the same as 115VAC&230VAC

全系列交流散热风扇，可根据客户需求生产双电压。性能参数与115VAC&230VAC相同。

Dimensions Drawing



Air Flow & Static Pressure Curve



Above specification is only for reference and subject to change without notice.

以上数据仅供参考，如有变更恕不另行通知。