



Impeller : 5 blades ,made of PBT resin

扇 叶: 5叶 PBT塑料

Frame : Made of die-cast Aluminum ADC-12

扇 框: 压铸铝 ADC-12

Motor : Shaded pole induction motor

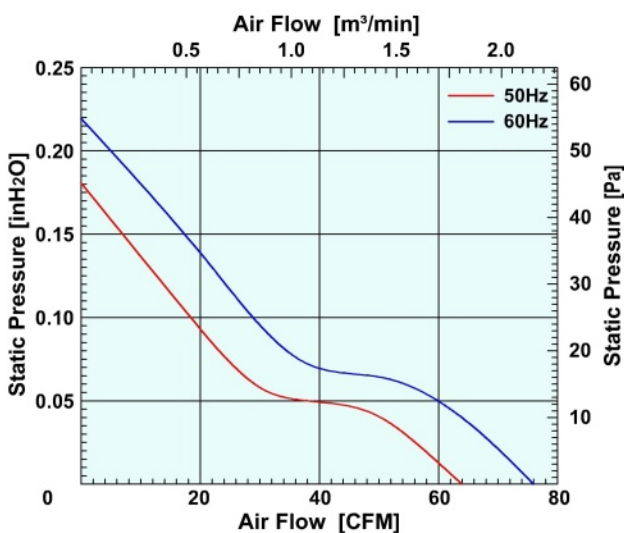
電 機: 蔽極异步电机

Motor Protection : Impedance protection

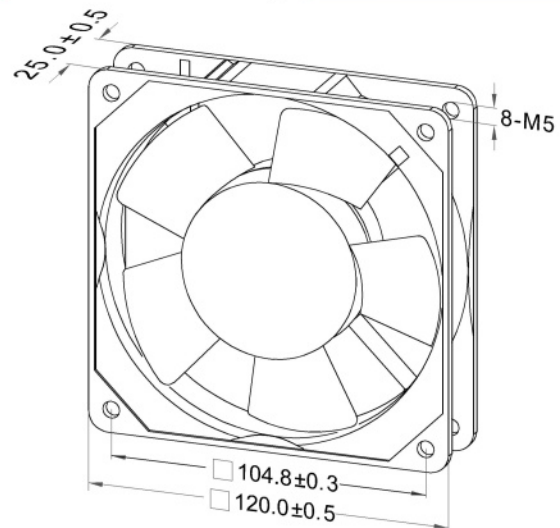
电机保护: 阻抗保护

Model (型号)	Bearing System (轴承)	Rated Voltage (电压) [V]	Freq. (频率) [Hz]	Current (电流) [A]	Input power (功率) [W]	Speed (转速) [RPM]	Maximum Air Flow (风量) [CFM]	Maximum Air Flow (风量) [m³/min]	Max. Static Pressure (静压) [InchH <sub>2</sub> O]	Max. Static Pressure (静压) [Pa]	Niose Level (噪音) [dB-A]	Mass (质量) [g]
M105AA1H	B/S	115	50/60	0.19/0.18	19/18	2200/2400	64/76	1.8/2.1	0.20/0.22	45/52	38/40	330
M105AA2H	B/S	230	50/60	0.12/0.11	19/18	2200/2400	64/76	1.8/2.1	0.20/0.22	45/52	38/40	330

### Air Flow & Static Pressure Curve



### Dimensions Drawing



Above specification is only for reference and subject to change without notice.  
 以上数据仅供参考，如有变更恕不另行通知。