



Impeller : 7 blades ,made of PBT resin

扇 叶: 7叶 PBT塑料

Frame : Made of die-cast Aluminum ADC-12

扇 框: 压铸铝 ADC-12

Motor : Shaded pole induction motor

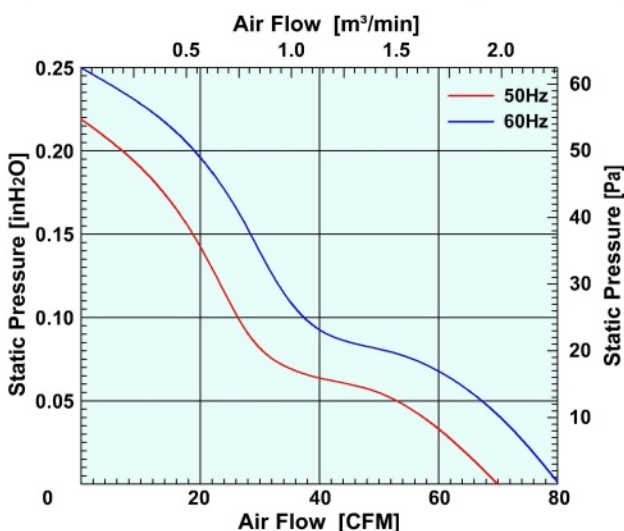
電 機: 蔽極异步電機

Motor Protection : Impedance protection

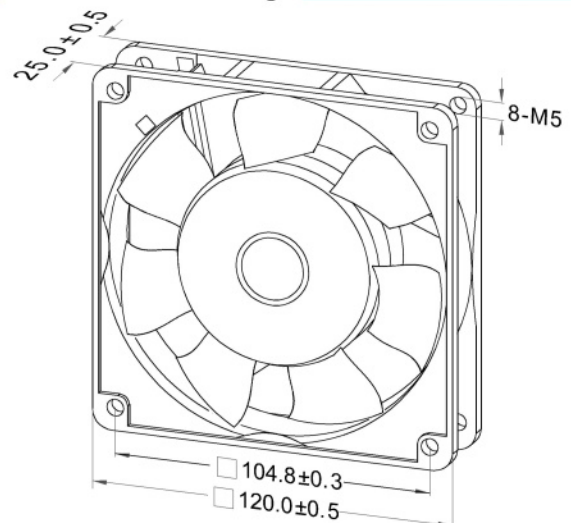
電機保护: 阻抗保护

Model (型号)	Bearing System (轴承)	Rated Voltage (电压) [V]	Freq. (频率) [Hz]	Current (电流) [A]	Input power (功率) [W]	Speed (转速) [RPM]	Maximum Air Flow (风量) [CFM]	Maximum Air Flow (风量) [m ³ /min]	Max. Static Pressure (静压) [InchH ₂ O]	Max. Static Pressure (静压) [Pa]	Niose Level (噪音) [dB-A]	Mass (质量) [g]
M115AA1H	Ball	115	50/60	0.21/0.18	20/16	2300/2600	70/81	2.0/2.3	0.22/0.25	55/62	34/39	340
M115AA2H	Ball	230	50/60	0.09/0.07	17/14	2300/2600	70/81	2.0/2.3	0.22/0.25	55/62	34/39	340

Air Flow & Static Pressure Curve



Dimensions Drawing



Above specification is only for reference and subject to change without notice.

以上数据仅供参考，如有变更恕不另行通知。