

M105A Series

AC AXIAL FAN  
□ 110x110x25mm



Impeller : 5 blades ,made of PBT resin

扇 叶: 5叶 PBT塑料

Frame : Made of die-cast Aluminum ADC-12

扇 框: 压铸铝 ADC-12

Motor : Shaded pole induction motor

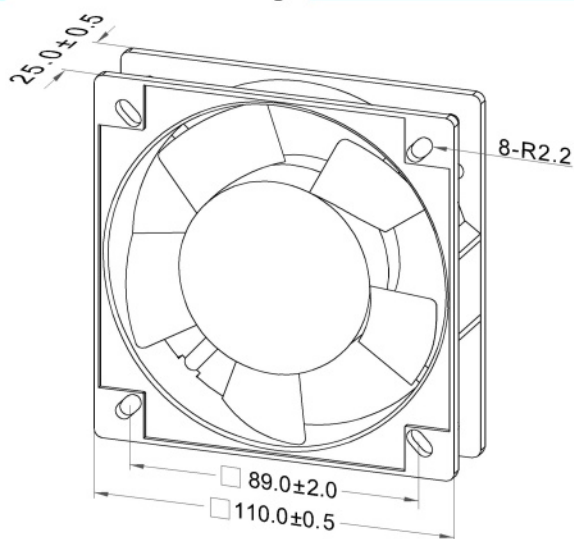
電 機: 蔽極异步電機

Motor Protection : Impedance protection

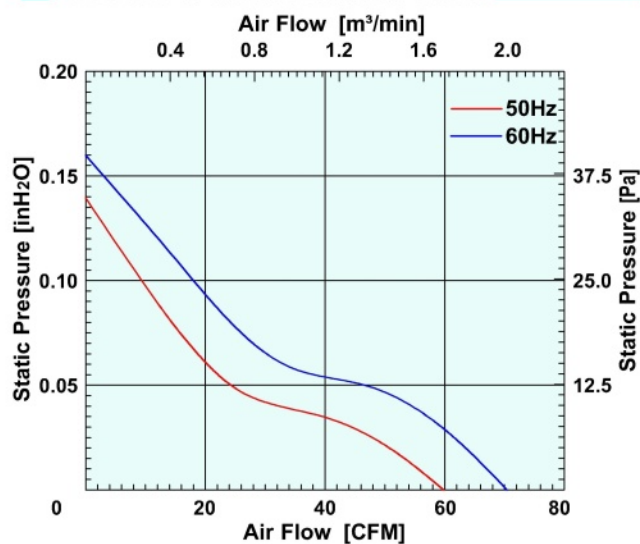
電機保护: 阻抗保护

Model (型号)	Bearing System (轴承)	Rated Voltage (电压) [V]	Freq. (频率) [Hz]	Current (电流) [A]	Input power (功率) [W]	Speed (转速) [RPM]	Maximum Air Flow (风量) [CFM]	Maximum Air Flow (风量) [m³/min]	Max. Static Pressure (静压) [InchH <sub>2</sub> O]	Max. Static Pressure (静压) [Pa]	Niose Level (噪音) [dB-A]	Mass (质量) [g]
M105AA1H	B/S	115	50/60	0.19/0.18	19/18	2200/2400	60/71	1.7/2.0	0.14/0.16	35/40	36/38	300
M105AA2H	B/S	230	50/60	0.09/0.09	19/18	2200/2400	60/71	1.7/2.0	0.14/0.16	35/40	36/38	300

Dimensions Drawing



Air Flow & Static Pressure Curve



Above specification is only for reference and subject to change without notice.

以上数据仅供参考，如有变更恕不另行通知。